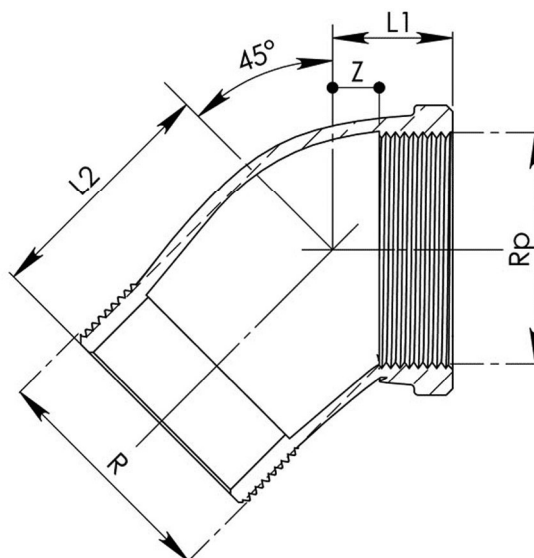


Art. 4.0121



Beschrieb: Winkel 45°
Material: Rotguss CC499K / DIN 50930-6
Gewindeart: IG-Rp / AG-R / ISO 7-1
Bemerkungen: SVGW Wasser 1/8" - 4"
 SVGW Gas 1/4" - 2"
 DVGW 3/8" - 2"

Description: équerre 45°
Matériel: bronze CC499K / DIN 50930-6
Filetage: f-Rp / m-R / ISO 7-1
Remarques: SSIGE Eau 1/8" - 4"
 SSIGE Gaz 1/4" - 2"
 DVGW 3/8" - 2"



4.0121.	038	050	075	100	125	150	200
Rp/R	3/8"	1/2"	3/4"	1"	1 1/4"	1 1/2"	2"
L1	13	18	20	25	30	31	33
L2	28	31	35	42	48	51	62
Z	6	7	8	12	12	16	17
Verpackung / Emballage							
Polybag	10	10	10	10	10	10	5
Box	300	250	180	120	60	50	30