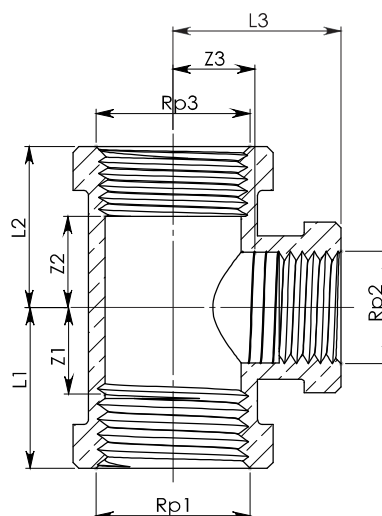


# Art. 4.0131



**Beschrieb:** T-Stück reduziert  
**Material:** Rotguss CC499K / DIN 50930-6  
**Gewindeart:** IG-Rp / ISO 7-1  
**Bemerkungen:** SVGW Wasser 1/8" - 4"  
 SVGW Gas 1/4" - 2"  
 DVGW 3/8" - 2"

**Description:** té réduit  
**Matériel:** bronze CC499K / DIN 50930-6  
**Filetage:** f-Rp / ISO 7-1  
**Remarques:** SSIGE Eau 1/8" - 4"  
 SSIGE Gaz 1/4" - 2"  
 DVGW 3/8" - 2"



4.0131.	050	051	075	076	077	100	101	102	125	126	127	150
Rp1	1/2"	1/2"	3/4"	3/4"	3/4"	1"	1"	1"	1 1/4"	1 1/4"	1 1/4"	1 1/2"
Rp2	3/8"	3/4"	1/2"	1/2"	3/4"	1/2"	3/4"	1"	1/2"	3/4"	1"	1/2"
Rp3	1/2"	1/2"	3/4"	1/2"	1/2"	1"	1"	1/2"	1 1/4"	1 1/4"	1 1/4"	1 1/2"
L1	24	28	28	27	28	31	32	36	32	35	40	33
L2	24	28	28	26	30	31	32	31	32	35	40	33
L3	26	27	29	28	30	32	33	36	36	38	41	38
Z1	14	16	16	16	16	17	20	28	16	20	25	17
Z2	14	16	16	14	18	17	20	22	16	20	25	17
Z3	16	17	17	16	17	20	21	27	21	22	26	24
<b>Verpackung / Emballage</b>												
Polybag	10	10	10	10	10	10	10	10	10	10	10	5
Box	180	120	100	130	130	70	60	100	60	40	40	40

# Art. 4.0131

4.0131.	151	152	153	200	201	202
<b>Rp1</b>	1 1/2"	1 1/2"	1 1/2"	2"	2"	2"
<b>Rp2</b>	3/4"	1"	1 1/4"	1"	1 1/4"	1 1/2"
<b>Rp3</b>	1 1/2"	1 1/2"	1 1/2"	2"	2"	2"
<b>L1</b>	36	41	42	46	46	47
<b>L2</b>	36	41	42	46	46	47
<b>L3</b>	40	46	48	50	50	50
<b>Z1</b>	20	25	28	30	30	32
<b>Z2</b>	20	25	28	30	30	32
<b>Z3</b>	26	32	33	36	33	34
<b>Verpackung / Emballage</b>						
<b>Polybag</b>	5	5	5	2	2	2
<b>Box</b>	40	30	30	20	20	20