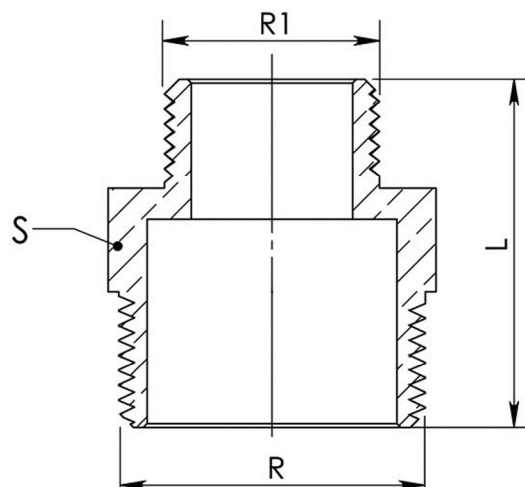


Art. 4.0245



Beschrieb: Doppelnippel reduziert
Material: Rotguss CC499K / DIN 50930-6
Gewindeart: AG-R / ISO 7-1
Bemerkungen: *Artikel aus Stabmaterial
 SVGW Wasser 1/8" - 4"
 SVGW Gas 1/4" - 2"
 DVGW 3/8" - 2"

Description: mamelon réduit
Matériel: bronze CC499K / DIN 50930-6
Filetage: m-R / ISO 7-1
Remarques: *articles fabriqué en barre
 SSIGE Eau 1/8" - 4"
 SSIGE Gaz 1/4" - 2"
 DVGW 3/8" - 2"



4.0245.	038	050	051*	075	076*	100	101*	125*	126*	150*	151*	200*
R	3/8"	1/2"	1/2"	3/4"	3/4"	1"	1"	1 1/4"	1 1/4"	1 1/2"	1 1/2"	2"
R1	1/4"	1/4"	3/8"	3/8"	1/2"	1/2"	3/4"	3/4"	1"	1"	1 1/4"	1 1/4"
L	31	34	37	40	44	48	47	44	51	54	60	59
S	20	24	26	29	29	34	34	44	44	51	50	63
Verpackung / Emballage												
Polybag	10	10	10	10	10	10	10	10	10	10	10	5
Box	600	500	400	400	300	240	160	100	100	80	60	50

4.0245.	201*	250	300
R	2"	2 1/2"	3"
R1	1 1/2"	2"	2 1/2"
L	62	67	82
S	63	78	92
Verpackung / Emballage			
Polybag	5	1	1