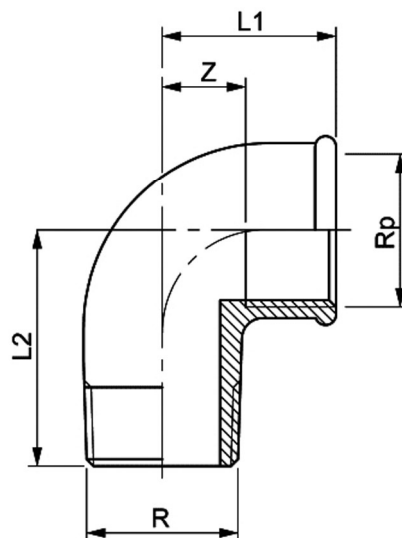


Art. 6.0092



Beschrieb: Winkel 90°
Material: Messing CW617N / CC753S
Gewindeart: IG-Rp / AG-R / ISO 7-1
Bemerkungen: SVGW Wasser 3/8" - 2"
 SVGW Gas 3/8" - 2"

Description: équerre 90°
Matériel: laiton CW617N / CC753S
Filetage: f-Rp / m-R / ISO 7-1
Remarques: SSIGE Eau 3/8" - 2"
 SSIGE Gaz 3/8" - 2"



6.0092.	025	038	050	075	100	125	150	200	250	300
Rp/R	1/4"	3/8"	1/2"	3/4"	1"	1 1/4"	1 1/2"	2"	2 1/2"	3"
L1	21	23	29	35	38	44	50	57	70	74
L2	27	35	38	43	50	57	66	72	87	97
Z	10	8	14	14	19	22	26	35	49	49
Verpackung / Emballage										
Polybag	10	10	10	10	10	10	5	5	1	1