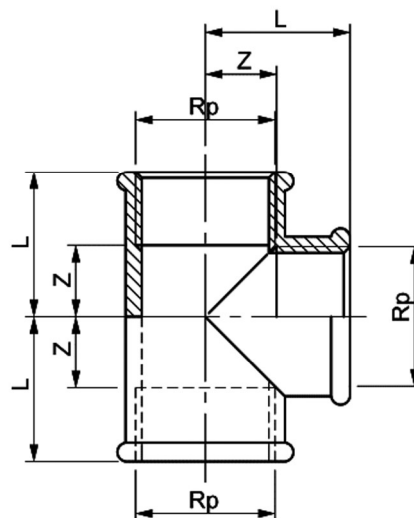


Art. 6.0130



Beschrieb: T-Stück
Material: Messing CW617N / CC753S
Gewindeart: IG-Rp / ISO 7-1
Bemerkungen: SVGW Wasser 3/8" - 2"
 SVGW Gas 3/8" - 2"

Description: té
Matériel: laiton CW617N / CC753S
Filetage: f-Rp / ISO 7-1
Remarques: SSIGE Eau 3/8" - 2"
 SSIGE Gaz 3/8" - 2"



| 6.0130. | 025 | 038 | 050 | 075 | 100 | 125 | 150 | 200 | 250 | 300 |
|-------------------------------|------|------|------|------|-----|--------|--------|-----|--------|-----|
| Rp | 1/4" | 3/8" | 1/2" | 3/4" | 1" | 1 1/4" | 1 1/2" | 2" | 2 1/2" | 3" |
| L | 20 | 24 | 26 | 30 | 36 | 46 | 47 | 57 | 69 | 79 |
| Z | 9 | 10 | 11 | 14 | 17 | 24 | 26 | 31 | 62 | 46 |
| Verpackung / Emballage | | | | | | | | | | |
| Polybag | 10 | 10 | 10 | 10 | 10 | 5 | 5 | 2 | 1 | 1 |