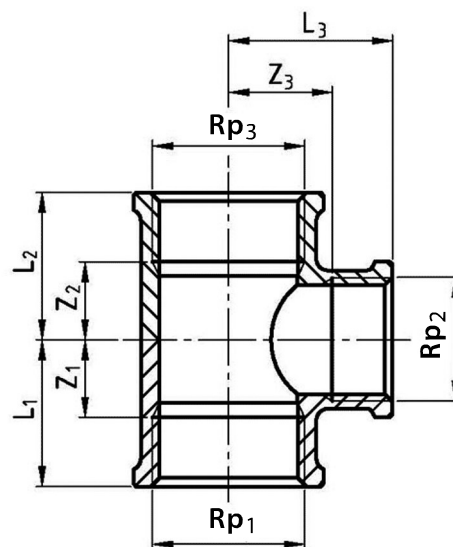


Art. 6.0131



Beschrieb: T-Stück reduziert
Material: Messing CW617N / CC753S
Gewindeart: IG-Rp / ISO 7-1
Bemerkungen: SVGW Wasser 3/8" - 2"
 SVGW Gas 3/8" - 2"

Description: té réduit
Matériel: laiton CW617N / CC753S
Filetage: f-Rp / ISO 7-1
Remarques: SSIGE Eau 3/8" - 2"
 SSIGE Gaz 3/8" - 2"



| 6.0131. | 075 | 100 | 101 |
|-------------------------------|------|------|------|
| Rp1 | 3/4" | 1" | 1" |
| Rp2 | 1/2" | 1/2" | 3/4" |
| Rp3 | 3/4" | 1" | 1" |
| L1 / L2 | 26 | 28 | 31 |
| L3 | 27 | 30 | 32 |
| Z1 / Z2 | 9 | 10 | 14 |
| Z3 | 12 | 23 | 18 |
| Verpackung / Emballage | | | |
| Polybag | 10 | 10 | 10 |