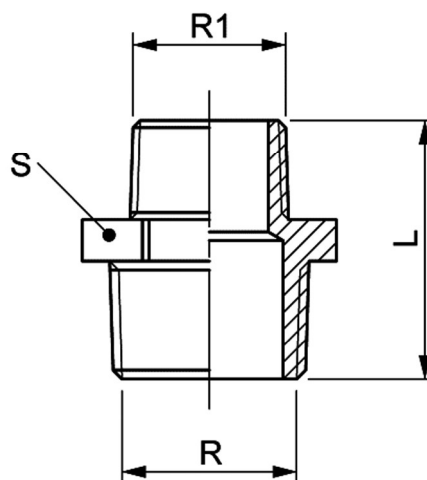


# Art. 6.0245



**Beschrieb:** Doppelnippel reduziert  
**Material:** Messing CW617N / CC753S  
**Gewindeart:** AG-R / ISO 7-1  
**Bemerkungen:** SVGW Wasser 3/8" - 2"  
 SVGW Gas 3/8" - 2"

**Description:** mamelon réduit  
**Matériel:** laiton CW617N / CC753S  
**Filetage:** m-R / ISO 7-1  
**Remarques:** SSIGE Eau 3/8" - 2"  
 SSIGE Gaz 3/8" - 2"



6.0245.	025	038	039	050	051	052	075	076	077	100	101	125
<b>R</b>	1/4"	3/8"	3/8"	1/2"	1/2"	1/2"	3/4"	3/4"	3/4"	1"	1"	1 1/4"
<b>R1</b>	1/8"	1/8"	1/4"	1/8"	1/4"	3/8"	1/4"	3/8"	1/2"	1/2"	3/4"	1/2"
<b>L</b>	28	28	31	32	34	35	37	37	38	44	44	49
<b>S</b>	15	20	20	24	24	24	28	28	28	38	38	48
<b>Verpackung / Emballage</b>												
<b>Polybag</b>	10	10	10	10	10	10	10	10	10	10	10	10

6.0245.	126	127	150	151	152	153	200	201	202	203	251	252
<b>R</b>	1 1/4"	1 1/4"	1 1/2"	1 1/2"	1 1/2"	1 1/2"	2"	2"	2"	2"	2 1/2"	2 1/2"
<b>R1</b>	3/4"	1"	1/2"	3/4"	1"	1 1/4"	3/4"	1"	1 1/4"	1 1/2"	1 1/2"	2"
<b>L</b>	49	52	49	50	52	55	54	57	59	59	57	66
<b>S</b>	48	48	55	55	55	55	67	67	67	67	82	82
<b>Verpackung / Emballage</b>												
<b>Polybag</b>	10	10	10	10	10	10	10	10	5	5	5	5

# Art. 6.0245

6.0245.	300	400
R	3"	4"
R1	2 1/2"	3"
L	68	88
S	94	120
<b>Verpackung / Emballage</b>		
Polybag	1	1