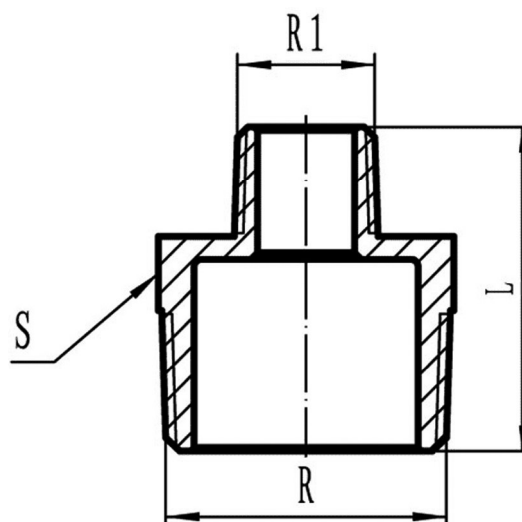


Art. 8.0245



Beschrieb: Doppelnippel reduziert
Material: Edelstahl AISI 316 - 1.4408 / ISO 4144
Gewindeart: AG-R / ISO 7-1
Bemerkungen: SVGW Wasser 3/8" - 4"
 SVGW Gas 3/4" - 2"

Description: mamelon réduit
Matériel: inox AISI 316 - 1.4408 / ISO 4144
Filetage: m-R / ISO 7-1
Remarques: SSIGE Eau 3/8" - 4"
 SSIGE Gaz 3/4" - 2"



| 8.0245. | 025 | 039 | 051 | 052 | 075 | 076 | 077 | 100 | 101 | 102 | 103 | 125 |
|-------------------------------|------|------|------|------|------|------|------|------|------|------|------|--------|
| R | 1/4" | 3/8" | 1/2" | 1/2" | 3/4" | 3/4" | 3/4" | 1" | 1" | 1" | 1" | 1 1/4" |
| R1 | 1/8" | 1/4" | 1/4" | 3/8" | 1/4" | 3/8" | 1/2" | 1/4" | 3/8" | 1/2" | 3/4" | 1/2" |
| L | 22,5 | 26,5 | 30 | 30,5 | 30,5 | 32 | 35,5 | 39,5 | 39 | 38,5 | 49 | 50 |
| S | 15 | 19 | 24 | 24 | 29 | 29 | 28 | 36 | 36 | 36 | 36 | 45 |
| Verpackung / Emballage | | | | | | | | | | | | |
| Polybag | 10 | 10 | 10 | 10 | 10 | 10 | 10 | 10 | 10 | 10 | 10 | 10 |

| 8.0245. | 126 | 127 | 150 | 151 | 152 | 153 | 199 | 200 | 201 | 202 | 250 | 251 |
|-------------------------------|--------|--------|--------|--------|--------|--------|------|-----|--------|--------|--------|--------|
| R | 1 1/4" | 1 1/4" | 1 1/2" | 1 1/2" | 1 1/2" | 1 1/2" | 2" | 2" | 2" | 2" | 2 1/2" | 2 1/2" |
| R1 | 3/4" | 1" | 1/2" | 3/4" | 1" | 1 1/4" | 3/4" | 1" | 1 1/4" | 1 1/2" | 1 1/2" | 2" |
| L | 42,5 | 45 | 51 | 41,5 | 45 | 47,5 | 51 | 50 | 52,5 | 52,5 | 54,5 | 59 |
| S | 43 | 45 | 50 | 51 | 49 | 49 | 63 | 63 | 63 | 63 | 78 | 78 |
| Verpackung / Emballage | | | | | | | | | | | | |
| Polybag | 10 | 10 | 10 | 10 | 10 | 10 | 5 | 5 | 5 | 5 | 1 | 1 |

Art. 8.0245

| 8.0245. | 300 | 301 | 400 |
|-------------------------------|-----|--------|-----|
| R | 3" | 3" | 4" |
| R1 | 2" | 2 1/2" | 3" |
| L | 73 | 75 | 85 |
| S | 91 | 91 | 119 |
| Verpackung / Emballage | | | |
| Polybag | 1 | 1 | 1 |