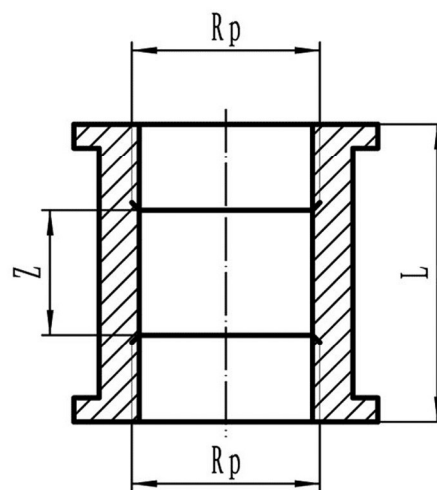


Art. 8.0271



Beschrieb: Muffen-Band
Material: Edelstahl AISI 316 - 1.4408
Gewindeart: IG-Rp / ISO 7-1
Bemerkungen: SVGW Wasser 3/8" - 4"
 SVGW Gas 3/4" - 2"

Description: manchon-ruban
Matériel: inox AISI 316 - 1.4408
Filetage: f-Rp / ISO 7-1
Remarques: SSIGE Eau 3/8" - 4"
 SSIGE Gaz 3/4" - 2"



8.0271.	025	038	050	075	100	125	150	200	250	300
Rp	1/4"	3/8"	1/2"	3/4"	1"	1 1/4"	1 1/2"	2"	2 1/2"	3"
L	25	25	32	35	40	45	45	54	62	70
Z	6	5	13	11	15	19	18	23	24	19
Verpackung / Emballage										
Polybag	10	10	10	10	10	10	5	5	1	1